

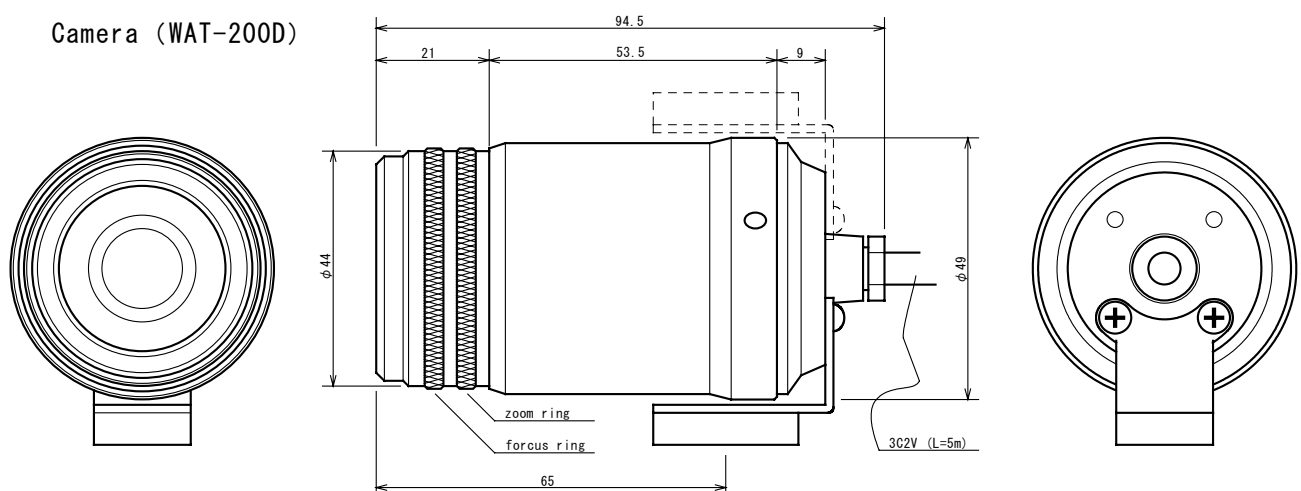
WAT-200D COLOR CAMERA

【SPECIFICATIONS】

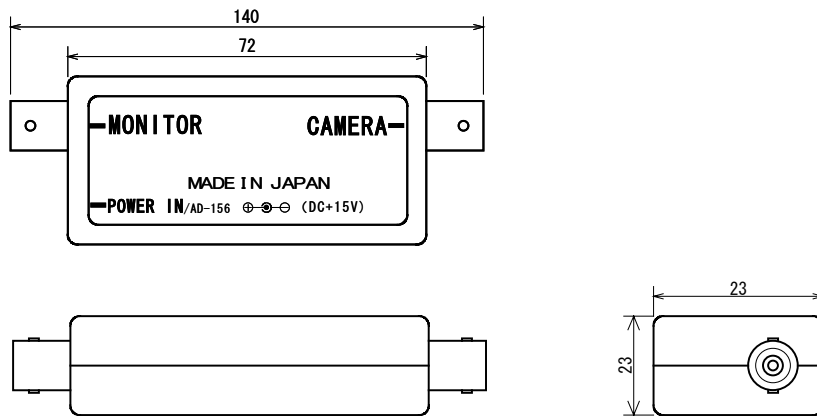
Model	WAT-200D (NTSC, PAL)
Pick-up element	1/3inch Interline transfer CCD image sensor
Number of total pixels	811(H) × 508(V) (NTSC); 795(H) × 596(V) (PAL)
Number of effective pixels	768(H) × 494(V) (NTSC); 752(H) × 582(V) (PAL);
Unit cell size	6.35 μm(H) × 7.4 μm(V) (NTSC); 6.5 μm(H) × 6.25 μm(V) (PAL)
Scanning system	2:1 interlace
Synchronizing system	Internal
Video output	Composite Video, 1Vp-p, 75ohm Unbalanced
Resolution(Horizontal)	470TV lines(center)
Minimum illumination	1.0 lx. F1.2
Gamma correction	$\gamma \cong 0.45$
AGC	8~36dB
S/N Ratio	50dB (AGC OFF)
Back light compensation	ON
White balance	Auto trace
Standard lens	Varifocal Auto-iris Zoom lens, f4~9mm, F1.6
Angular view	35° ~ 70° (H)
Use environment	IEC60529 IP-46
Installation screw	U 1/4inch (D=5mm) (Top/Bottom/Both side)
Connection terminal	(WAT-200RX) Video out(BNC), Camera in(BNC), Power
Power supply	DC +15.0~16.5V (15V+10%)
Current	max. 300mA(3C2V at 100m in length)
Operating temperature	-10°C ~ +40°C
Storage temperature	-30°C ~ +70°C
Dimensions	49.0(φ) × 98.0(L) mm
Weight	Approx. 300g
Accessories	Receiver (WAT-200RX), Power supplies(AD-156), Holder

【DIMENSIONS】 (mm)

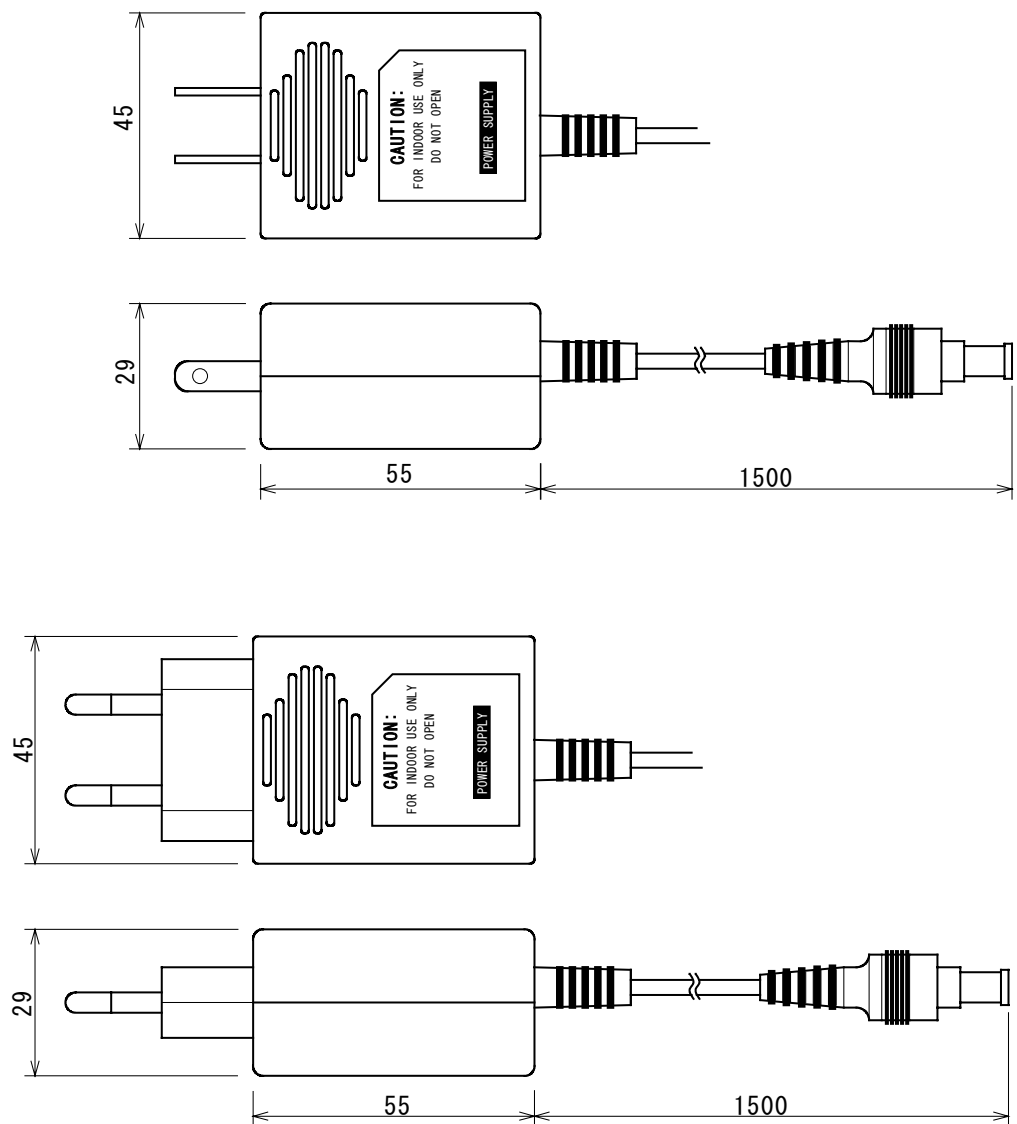
Camera (WAT-200D)



Receiver (WAT-200RX)



Power supply (AD-156)



【COMBINATION】

