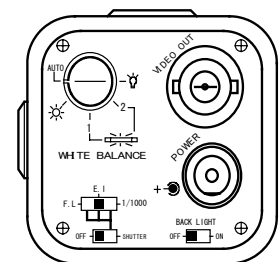
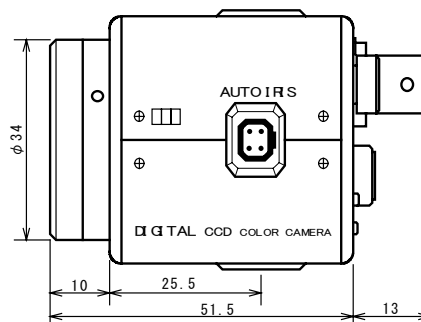
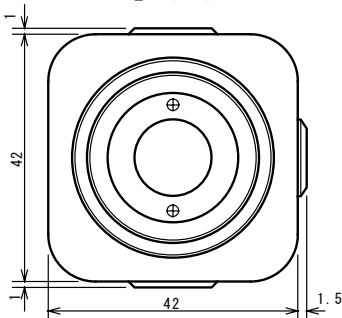


WAT-204CX Coaxial transmission camera

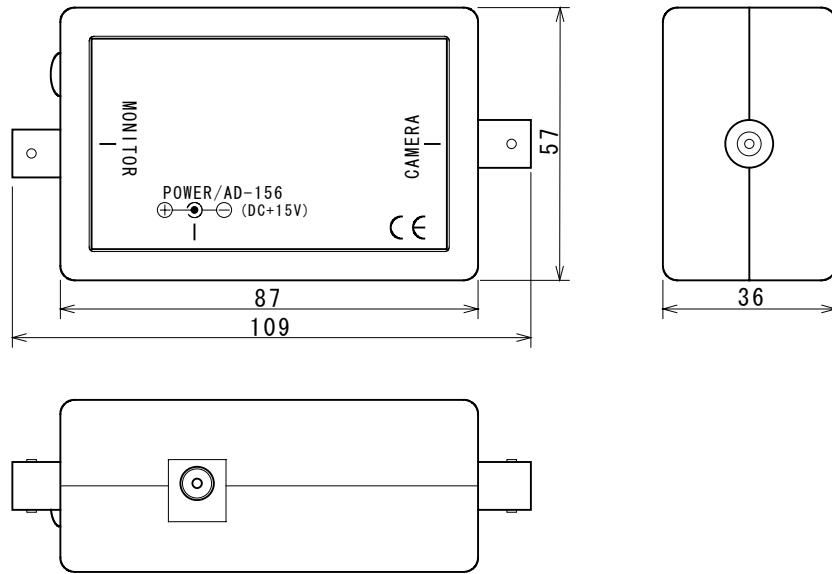
【SPECIFICATIONS】

| | |
|----------------------------|--|
| Model | WAT-204CX (NTSC, PAL) |
| Pick-up element | 1/3inch Interline transfer CCD image sensor |
| Number of total pixels | 811(H) × 508(V) (NTSC); 795(H) × 596(V) (PAL) |
| Number of effective pixels | 768(H) × 494(V) (NTSC); 752(H) × 582(V) (PAL) |
| Unit cell size | 6.35 μm(H) × 7.4 μm(V) (NTSC); 6.5 μm(H) × 6.25 μm(V) (PAL) |
| Scanning system | 2:1 interlace |
| Synchronizing system | Internal |
| Video output | Composite Video, 1Vp-p, 75ohm Unbalanced |
| Resolution(Horizontal) | 450TV lines(center) |
| Minimum illumination | 1.0 lx. F1.2 (AGC High) 4.0 lx. F1.2 (AGC Low) |
| Gamma correction | $\gamma \cong 0.45$ (ON), 1.0 (OFF) |
| AGC | ON=8~36dB(High), 8~24dB(Low) / OFF=fix 12dB |
| S/N Ratio | 50dB(AGC OFF, $\gamma=1$) |
| AE mode | EI(Electronic Iris) 1/60 ~ 1/100000sec. (NTSC) 1/50 ~ 1/100000sec. (PAL) FL(Flicker Less) 1/100sec. (NTSC), 1/120sec. (PAL) 1/1000 sec. |
| White balance | Auto trace Preset : 3200K, 4200K, 5100K, 6300K |
| Lens mount | CS-mount |
| Installation screw | U 1/4inch (D=5mm) (Top/Bottom) |
| Connection terminal | (WAT-204RX) Video out(BNC), Camera in(BNC), Power |
| Power supply | DC +15.0~16.5V(15V+10%) : WAT-204CX + WAT-204RX DC +10.8~13.2V(12V±10%) : WAT-204CX |
| Current | max. 300mA (3C2V at 100m in length) |
| CX-RX extension distance | max. 100m(3C2V) / 180m(5C2V) |
| Operating temperature | -10°C ~ +40°C |
| Storage temperature | -30°C ~ +70°C |
| Dimensions | 43.5(W) × 44.0(H) × 64.5(D)mm (WAT-204CX) |
| Weight | Approx. 160g (WAT-204CX) |
| Accessories | Receiver (WAT-204RX), Power supplies (AD-156) Hex key wrench, Iris-plug(AIC) |

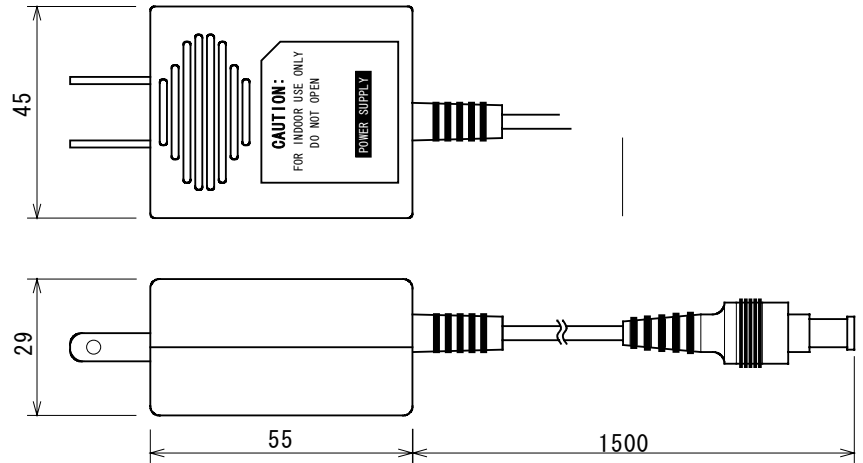
【DIMENSIONS】 (mm)



Receiver WAT-204RX



Power supplies AD-156



Power supply AD-156

