

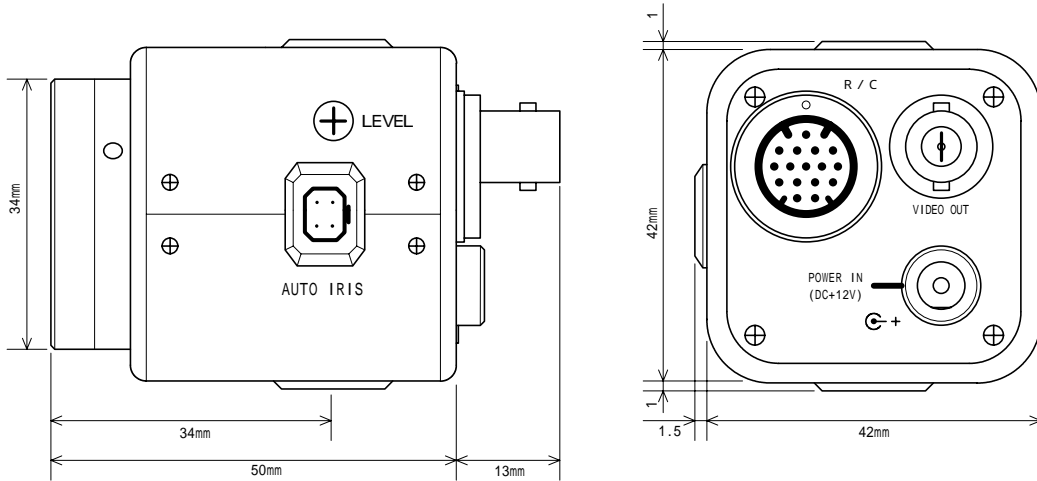
WAT-120N Monochrome Camera

【SPECIFICATIONS】

Model	WAT-120N (EIA/CCIR)
Pick-up element	1/2inch interline transfer CCD image sensor
Number of total pixels	811(H) × 508(V):(EIA) 795(H) × 596(V):(CCIR)
Number of effective pixels	768(H) × 494(V):(EIA) 752(H) × 582(V):(CCIR)
Unit cell size	8.4 μm(H) × 9.8 μm(V):(EIA) 8.6 μm(H) × 8.3 μm(V):(CCIR)
Scanning system	Frame storage / Frame readout
Synchronizing system	Internal
Video output	Composite video, 1Vp-p, 75ohm Unbalanced
Resolution	570 TV lines(H), 480 TV lines(V)
Minimum illumination	0.00002 lx. F1.4 (256frame, Gain 38dB, =HI)
Gamma correction	1.0(OFF), 0.45(LO), 0.35(HI)
AGC	8 ~ 38dB(Manual)
S/N ratio	52dB(=OFF, Gain 8dB)
Shutter speeds	OFF(1/60-EIA, 1/50-CCIR), 1, 2, 4, 8, 16, 32, 64, 128, 256 (1=1frame, 1frame=1/30sec.(EIA) or 1/25sec.(CCIR))
Lens mount	CS-mount
Installation screw	U 1/4 (D=5mm) (Top/Bottom)
Connection terminal	Video out(BNC), Power, Auto iris, Remote control(R.C.)
Power supply	DC +9.5 ~ 15V
Current	max. 160mA
Operating temperature	-10 ~ +40 (w/o condensation)
Storage temperature	-30 ~ +70 (w/o condensation)
Dimensions	43.5(W) × 44.0(H) × 64.0(D)mm
Auto iris	Video/DC (Auto switch)
Weight	Approx. 150g
Accessories	Remote control box(WAT-120NRC), DC-plug(WPDC12) Iris-plug(AIC-G), C-mount adaptor(34CMA-R) Hex. key wrench

【DIMENSIONS】

Camera unit (WAT-120N)



Remote control unit (WAT-120NRC)

